

LESSON
1.1**Practice C**

For use with pages 2–7

Evaluate the expression.

1. $5y$ when $y = 6$
2. $18 - x$ when $x = 7$
3. $0.4a$ when $a = 32$
4. $4 + m$ when $m = 9.7$
5. $h - 3$ when $h = 5.1$
6. $48 \div g$ when $g = 3$
7. $\frac{x}{8}$ when $x = 72$
8. $\frac{60}{d}$ when $d = 1.5$
9. $\frac{4}{9} \cdot t$ when $t = \frac{7}{16}$
10. $2x + y$ when $x = 3$ and $y = 2$
11. $\frac{m}{5} - n$ when $m = 4$ and $n = \frac{2}{3}$
12. $\frac{12b}{a}$ when $a = 2.4$ and $b = 0.6$
13. $\frac{4.5x}{y}$ when $x = 8.4$ and $y = 1.5$

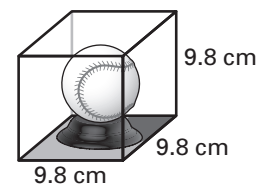
Evaluate the power.

14. $(0.5)^4$
15. $\left(\frac{1}{3}\right)^5$
16. $\left(\frac{4}{5}\right)^3$

Evaluate the expression.

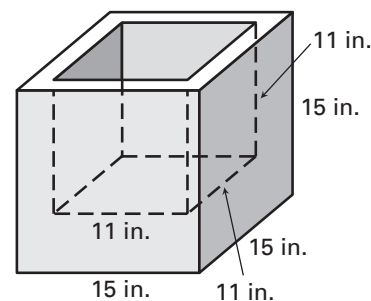
17. 6^x when $x = 3$
18. $(4y)^2$ when $y = 5$
19. $(a - b)^5$ when $a = 10$ and $b = 6$
20. $4m + n^3$ when $m = 7$ and $n = 10$
21. $3x^4 + 2y$ when $x = 5$ and $y = 13$
22. $(3y)^2 - x^2$ when $x = 9$ and $y = 4$

- 23. Baseball Display** A baseball display case is in the shape of a cube. What is the volume of the display case if the side length is 9.8 centimeters?



- 24. Sales Tax** An item costs c dollars and 6.25% sales tax is charged. The total cost including sales tax is given by the expression $1.0625c$. You are buying a skateboard that costs \$82. What is the cost of the skateboard including sales tax? Round your answer to the nearest cent.

- 25. Planter** You are creating concrete planters for a garden border by placing the concrete in a large cube and then placing a smaller cube inside. The amount of concrete you need can be found using the expression $V - v$ where V is the volume of the larger cube and v is the volume of the smaller cube. How much concrete do you need to make one planter?



- 26. Music** A music store sells new CDs for \$13.95 and used CDs for \$6.50. The total cost of buying x new CDs and y used CDs can be found using the expression $13.95x + 6.5y$. You buy 3 new CDs and 4 used CDs. Find the total cost.